

# VEGA-250

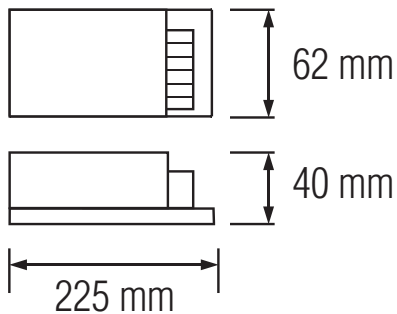
# LED DRIVER

<https://horozelectric.com.ua>  
+38 (096) 8312125

Product&Family Code: 082 001 0250



## Technical Drawing



Technical Data	
Voltage	AC 220-240V / 50-60Hz
Output Power	200W
Output Voltage	DC 12V
Output Current	20.8A
Materials	Aluminium
Protection Class	I
IP Rating	20
Power Factor	>0.5
For 35x28 SMD LED Strip	Max. 50m
For 50x50 SMD LED Strip	Max. 17m

## Applications

- Indoor Lighting.



## Features

- 100% load test
- Full range of input voltage
- Output voltage accurate and stable
- Output over - voltage, over - current and short - circuit protection
- Output low ripple and noise

