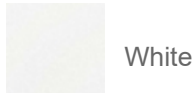




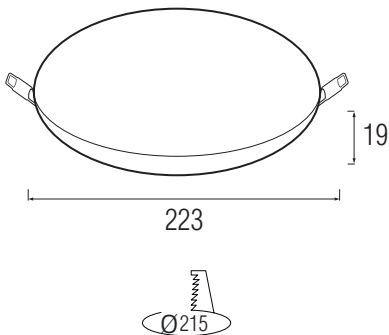
Product&Family Code: 016 052 0030

Technical Data

Voltage (V)	165-260V
Product Wattage (W)	30
Equivalence with incandescent lamp	240
Colour Render Index (Ra)	>Ra80
Colour Temperature (K)	6400K
Materials	PC+Aluminium
Protection Class	II
Dimmable	No
EEI	A to A++
Warm-up time up to 60 %of the full light output	Instant Full Light
Luminous Flux (lm)	2260
Luminous Efficacy (lm/W)	75
Rated Life (hrs) ⌚	25.000
IP Rating	20
Power Factor	>0.5
Beam Angle	120°
Starting Time	<0.2s
Number of ON-OFF cycling	12.500



White

Technical Drawing**Applications**

•Airport, Bathroom, Bedroom, Car Park, Cinema, Gallery, Hospital, Hotel, Kitchen, Museum etc.



- High Lumen and CRI, Good quality & Constant Current driver.
- High heat dissipation, low carbon and environmental protection.
- SMD LED Lamp Base.

