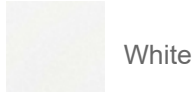


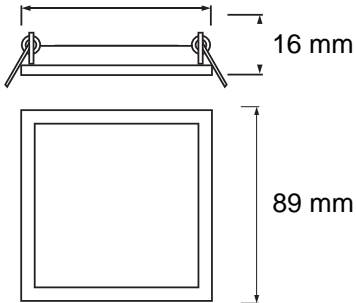
LED PANEL

<https://horoelectric.com.ua>

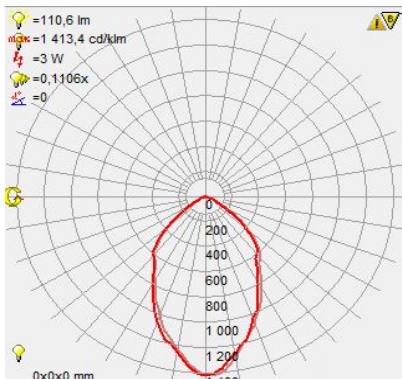
+38 (096) 8312125

 Product&Family Code: **056 005 0003**
SLIM / Sq-3


Technical Drawing


 **76x76**

Photometric Diagram



Technical Data

Voltage (V)	220-240V
Product Wattage (W)	3
Equivalence with incandescent lamp(W)	24
Colour Render Index (Ra)	>Ra70
Colour Temperature (K)	2700K / 4200K / 6400K
Materials	Aluminium
Protection Class	II
Dimmable	No
EEL	A to A++
Warm-up time up to 60 % of the full light output	Instant Full Light
Luminous Flux (lm)	110
Luminous Efficacy (lm/W)	37
Rated Life (hrs) ⌚	50.000
IP Rating	20
Power Factor	>0.5
Beam Angle	120°
Starting Time	<0.2s
Number of ON-OFF cycling	x25.000

Applications

- Office Lighting, Meeting Rooms, Restaurants, Hospitals, all indoor applications.



Features

- High Lumen and CRI, Good quality & Constant Current driver.
- High heat dissipation, low carbon and environmental protection.
- SMD LED Lamp Base.
- Very low energy consumption.

