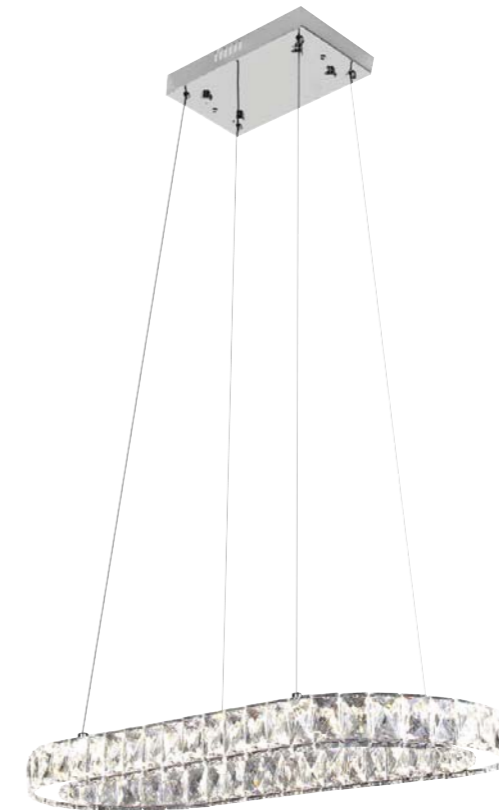




CRYSTAL LED SUSPENSION LIGHT

019 024 0046



Technical Data

Voltage (V)	180-260
Product Wattage	46
Equivalence with incandescent lamp(W)	368
Colour Render Index (Ra)	>Ra70
Colour Temperature (K)	4000K
Materials	Crystal + Stainless Steel + Iron
Protection Class	I
Dimmable	No
EEL	A to A++
Warm-up time up to 60 % of the full light output	Instant Full Light
Luminous Flux (lm)	1380
Luminous Efficacy (lm/W)	30
Rated Life (hrs)	30.000
IP Rating	20
Power Factor	>0.5
Beam Angle	120°

POLARIS

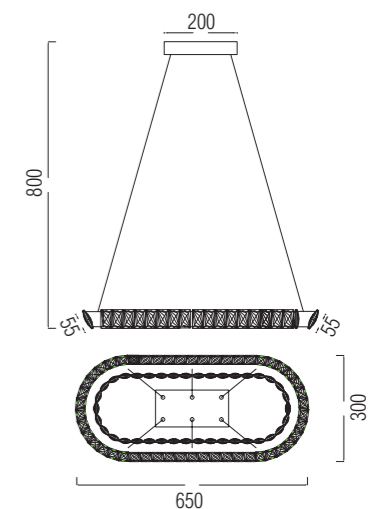
Applications

· LED Suspension Light has been specifically designed for use indoors and is ideal for both hospitality and residential lighting.

Features

- High Lumen and CRI, Good quality & Constant Current driver.
- High heat dissipation, low carbon and environmental protection.
- SMD LED Lamp Base
- Very low energy consumption

Technical Drawing



İstanbul Trakya Serbest Bölgesi Ferhatpaşa S.B. Mah.
Açelya Sk. Dış Kapı: 2 İç Kapı: 301
Çatalca / İSTANBUL

+38 (096) 8312125
info@horoelectric.com.ua
Horoz Electric Ukraine
https://horoelectric.com.ua