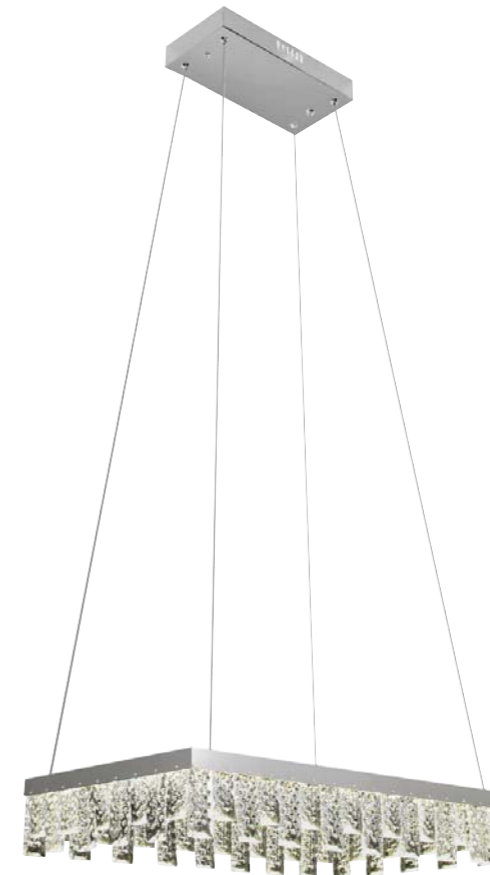




## CRYSTAL LED SUSPENSION LIGHT

019 027 0040



### Technical Data

Voltage (V)	180-260
Product Wattage	40
Equivalence with incandescent lamp(W)	320
Colour Render Index (Ra)	>Ra70
Colour Temperature (K)	4000K
Materials	Crystal + Stainless Steel + Iron
Protection Class	I
Dimmable	No
EEL	A to A++
Warm-up time up to 60% of the full light output	Instant Full Light
Luminous Flux (lm)	1200
Luminous Efficacy (lm/W)	30
Rated Life (hrs)	30.000
IP Rating	20
Power Factor	>0.5
Beam Angle	120°

## NIRVANA-40

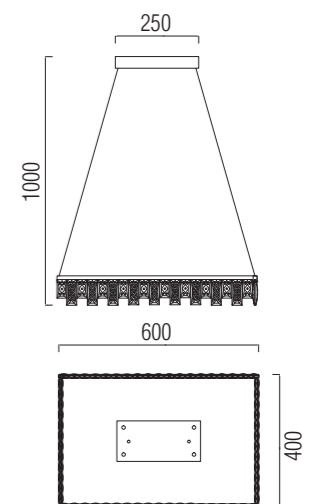
### Applications

· LED Suspension Light has been specifically designed for use indoors and is ideal for both hospitality and residential lighting.

### Features

- High Lumen and CRI, Good quality & Constant Current driver.
- High heat dissipation, low carbon and environmental protection.
- SMD LED Lamp Base
- Very low energy consumption

### Technical Drawing



Istanbul Trakya Serbest Bölgesi Ferhatpaşa S.B. Mah.  
Açelya Sk. Dış Kapı: 2 İç Kapı: 301  
Çatalca / İSTANBUL

+38 (096) 8312125  
info@horoelectric.com.ua  
Horoz Electric Ukraine  
https://horoelectric.com.ua