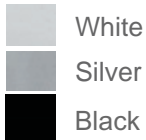


LED TRACKLIGHT

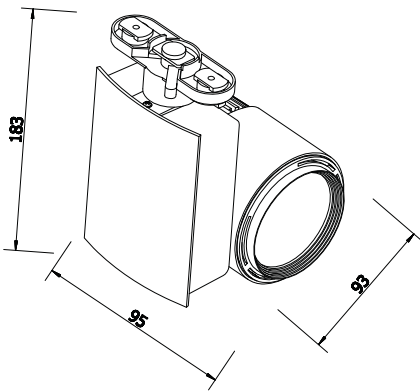
Product&Family Code: 018 005 0040

MADRID-40

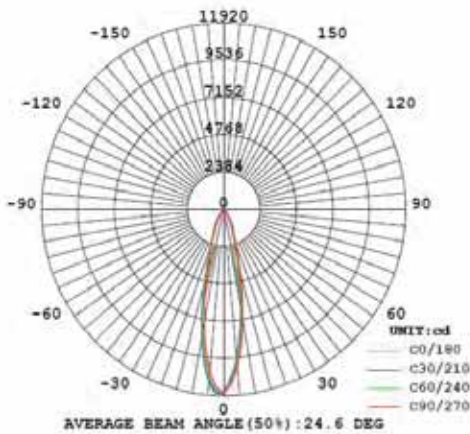


3 INCH

Technical Drawing



Photometric Diagram



Technical Data	
Voltage (V)	220-240V
Product Wattage (W)	40
Equivalence with incandescent lamp(W)	320
Colour Render Index (Ra)	>Ra80
Colour Temperature (K)	4200K
Materials	Cast Aluminium
Protection Class	II
Dimmable	No
EEI	A to A++
Warm-up time up to 60 %of the full light output	Instant Full Light
Luminous Flux (lm)	2988
Luminous Efficacy (lm/W)	75
Rated Life (hrs) ⌚	40.000
IP Rating	20
Power Factor	>0.9
Beam Angle	24°
Starting Time	<0.2s
Number of ON-OFF cycling	x35.000

Applications

- Tracking lighting is your best choice when compared to other lights for areas such as dining rooms, kitchens, shopping center and even offices.



Features

- High Lumen and CRI, Good quality & Constant Current driver.
- High heat dissipation, low carbon and environmental protection.
- COB LED Lamp Base.
- Very low energy consumption.

