

LED SUSPENSION LIGHT

horozelectric.com.ua
+38 (096) 8312125

Product&Family Code:

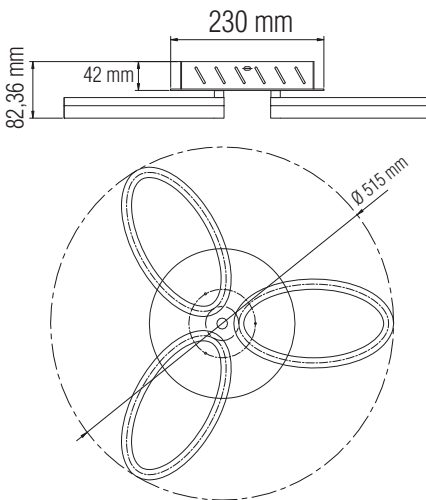
019 005 0024

AVANGARD-24

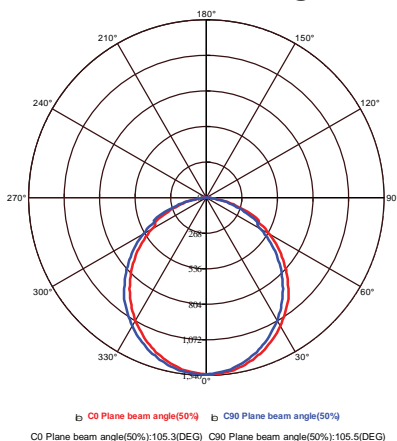


WHITE
BLACK

Technical Drawing



Photometric Diagram



Technical Data

Voltage (V)	220-240
Product Wattage (W)	24
Equivalence with incandescent lamp(W)	192
Colour Render Index (Ra)	>Ra80
Colour Temperature (K)	4000K
Materials	Metal + Aluminium + Acrylic
Protection Class	I
Dimmable	No
EEI	A to A++
Warm-up time up to 60 % of the full light output	Instant Full Light
Luminous Flux (lm)	1680
Luminous Efficacy (lm/W)	70
Rated Life (hrs) ⌚	50.000
IP Rating	10
Power Factor	>0.9
Beam Angle	120°

Applications

- LED Suspension Light has been specifically designed for use indoors and is ideal for both hospitality and residential lighting.



Features

- High Lumen and CRI, Good quality & Constant Current driver.
- High heat dissipation, low carbon and environmental protection.
- SMD LED Lamp Base
- Very low energy consumption

